

Features

- High pressure hydraulic fittings
- Material = Carbon Steel
- Available in NPT, JIC and SAE threads
- For use with mineral based oils



Ordering Details

F-	O8	M-	O8	M-	90-	1
----	----	----	----	----	-----	---

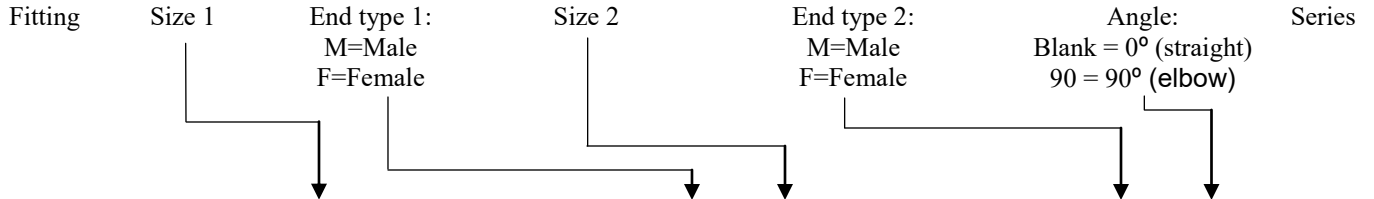
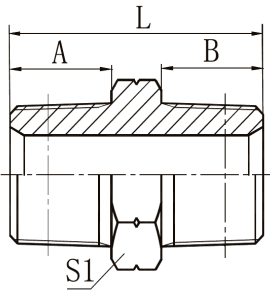


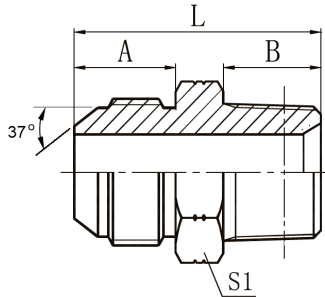
Illustration	Size 1	Size 1 Thread details	End type 1	Size 2	Size 2 Thread details	End type 2	Angle
	N.5	1/2" -14 NPTF	M	N.5	1/2" -14 NPTF	M	0
	N.25	1/4" -18 NPTF	M	J.3	3/8", 9/16"-18 JIC, 37°	M	0
	N.5	1/2" -14 NPTF	M	J.3	3/8", 9/16"-18 JIC, 37°	M	0
	N.5	1/2" -14 NPTF	M	J.5	1/2", 3/4-16, JIC, 37°	M	0
	N.5	1/2" -14 NPTF	M	J.6	5/8", 7/8"-14, JIC, 37°	M	0
	N.75	3/4"-14 NPTF	M	J.6	5/8", 7/8"-14, JIC, 37°	M	0
	N.75	3/4"-14 NPTF	M	J.75	3/4", 1 1/16-12, JIC, 37°	M	0
	O4	SAE -4, O-ring Boss, 7/16-20	M	J.3	3/8", 9/16"-18 JIC, 37°	M	0
	O8	SAE -8, O-ring Boss, 3/4-16	M	J.3	3/8", 9/16"-18 JIC, 37°	M	0
	O8	SAE -8, O-ring Boss, 3/4-16	M	J.5	1/2", 3/4-16, JIC, 37°	M	0
	O8	SAE -8, O-ring Boss, 3/4-16	M	J.6	5/8", 7/8"-14, JIC, 37°	M	0
	O10	SAE -10, O-ring Boss, 7/8-14	M	J.3	3/8", 9/16"-18 JIC, 37°	M	0
	O10	SAE -10, O-ring Boss, 7/8-14	M	J.5	1/2", 3/4-16, JIC, 37°	M	0
	O12	SAE -12, O-ring Boss, 1 1/16-12	M	J.6	5/8", 7/8"-14, JIC, 37°	M	0
	O12	SAE -12, O-ring Boss, 1 1/16-12	M	J.75	3/4", 1 1/16-12, JIC, 37°	M	0
	O16	SAE -16, O-ring Boss, 1 5/16-12	M	J.75	3/4", 1 1/16-12, JIC, 37°	M	0
	O16	SAE -16, O-ring Boss, 1 5/16-12	M	J1	1", 1 5/16-12, JIC, 37°	M	0
	N.25	1/4" -18 NPT	M	J.3	3/8", 9/16"-18 JIC, 37°	M	90
	N.5	1/2" -14 NPT	M	J.3	3/8", 9/16"-18 JIC, 37°	M	90
	N.5	1/2" -14 NPT	M	J.5	1/2", 3/4-16, JIC, 37°	M	90
	N.75	3/4"-14 NPT	M	J.6	5/8", 7/8"-14, JIC, 37°	M	90
	N.75	3/4"-14 NPT	M	J.75	3/4", 1 1/16-12, JIC, 37°	M	90
	N1	1" 11-1/2 NPT	M	J.75	3/4", 1 1/16-12, JIC, 37°	M	90
	N1	1" 11-1/2 NPT	M	J1	1", 1 5/16-12, JIC, 37°	M	90
	O8	SAE -8, O-ring Boss, 3/4-16	M	J.3	3/8", 9/16"-18 JIC, 37°	M	90
	O8	SAE -8, O-ring Boss, 3/4-16	M	J.5	1/2", 3/4-16, JIC, 37°	M	90
	O10	SAE -10, O-ring Boss, 7/8-14	M	J.5	1/2", 3/4-16, JIC, 37°	M	90
	O10	SAE -10, O-ring Boss, 7/8-14	M	J.6	5/8", 7/8"-14, JIC, 37°	M	90
	O12	SAE -12, O-ring Boss, 1 1/16-12	M	J.6	5/8", 7/8"-14, JIC, 37°	M	90
	O12	SAE -12, O-ring Boss, 1 1/16-12	M	J.75	3/4", 1 1/16-12, JIC, 37°	M	90
	O16	SAE -16, O-ring Boss, 1 5/16-12	M	J.75	3/4", 1 1/16-12, JIC, 37°	M	90
O16	SAE -16, O-ring Boss, 1 5/16-12	M	J1	1", 1 5/16-12, JIC, 37°	M	90	

Example Part Number: FO8MO8M-90-1

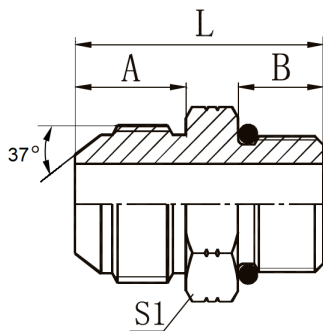
Dimensions (mm)



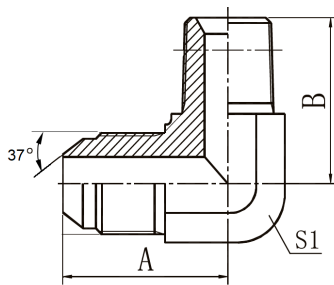
Part Number	A	B	L	S1
F-O8M-O8M-1	19.5	19.5	47	22



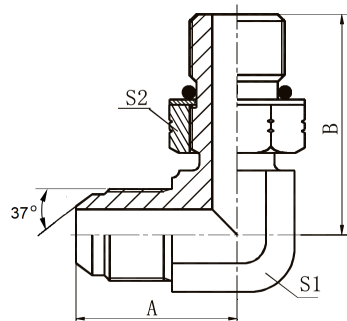
Part Number	A	B	L	S1
F-N.25M-J.3M-1	19.5	19.5	47	22
F-N.5M-J.3M-1	14	19.5	41.5	24
F-N.5M-J.5M-1	16.7	19.5	44	24
F-N.5M-J.6M-1	19.5	19.5	47	24
F-N.75M-J.6M-1	19.5	19.5	49	30
F-N.75M-J.75M-1	23	19.5	53.5	36



Part Number	A	B	L	S1
F-O4M-J.3M-1	14	9	29	17
F-O8M-J.3M-1	14	11	33	22
F-O8M-J.5M-1	16.7	11	36	22
F-O8M-J.6M-1	19.5	11	39	24
F-O10M-J.3M-1	14	12.7	37	27
F-O10M-J.5M-1	16.7	12.7	40	27
F-O12M-J.6M-1	19.5	15	45.5	32
F-O12M-J.75M-1	22	15	48	32
F-O16M-J.75M-1	22	15	48	38
F-O16M-J.1M-1	23	15	49	38



Part Number	A	B	S1
F-N.25M-J.3M-1	26.9	25.5	14
F-N.5M-J.3M-1	32	36.7	22
F-N.5M-J.5M-1	34.8	37.3	22
F-N.75M-J.6M-1	41	44	27
F-N.75M-J.75M-1	44.2	44	27
F-N1M-J.75M-1	49	50	33
F-N1M-J1M-1	49	50	33



Part Number	A	B	S1	S2
F-O8M-J.3M-1	30	36.8	19	24
F-O8M-J.5M-1	33	36.8	19	24
F-O10M-J.5M-1	34.8	44	22	27
F-O10M-J.6M-1	37.8	44	22	27
F-O12M-J.6M-1	41	51	27	32
F-O12M-J.75M-1	44.2	51	27	32
F-16M-J.75M-1	47.8	54.5	33	41
F-16M-J1M-1	49	55.5	33	41